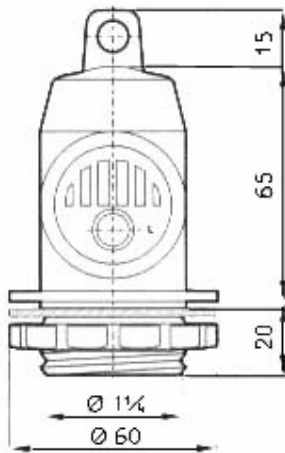




**APAG** s.a.s. v.Jhon Wiston Lennon n°40 42018 San Martino in Rio (R.E.) Italy  
 tel:+39-0522-633065 Fax:+39-02-30133246 mail:[apag@apag.it](mailto:apag@apag.it) [www.apag.it](http://www.apag.it)

**VALVOLE SFIATO PER SERBATOI - SOUPAPE POUR CUVE  
 VÁLVULAS PARA DEPOSITO - VALVE FOR RESERVOIRS**

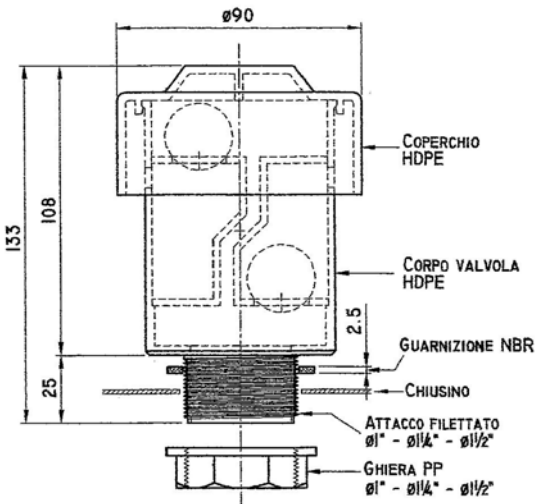


**P/V/15:** VALVOLA SFIATO PER SERBATOIO FINO A 150 HL. DIAM. 15  
 ATTACCO 1 1/4"

**P/V/15:** SOUPAPE POUR CUVE JUSQU' A 150 HL D. 15 FILETAGE 33.42

**P/V/15:** VÁLVULAS PARA DEPOSITO HASTA 150 HL. D.15 ROSCA 1 1/4"

**P/V/15:** VENT VALVE FOR RESERVOIRS TILL 150 HL. D.15 1 1/4"

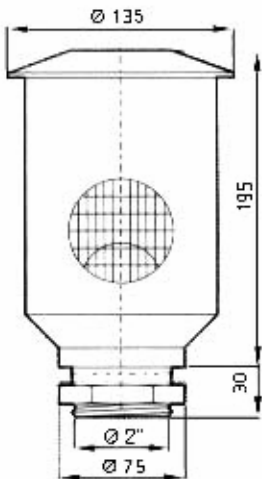


**P/V/30N:** VALVOLA SFIATO DOPPIO EFFETTO PER SERBATOIO FINO A 500  
 HL DIAM. 30 ATTACCO 1 1/4" - 1 1/2"

**P/V/30N:** SOUPAPE POUR CUVE DOUBLE EFFET JUSQUE A 500 HL. D. 30  
 FILETAGE 33/42 - 40/49

**P/V/30N:** VALVULAS A DOBLE EFECTO PARA DEPOSITO HASTA 500 HL.  
 D.30 ROSCA 1 1/4" 1/4" - 1 1/2"

**P/V/30N:** VENT VALVE DOUBLE EFFECT FOR RESERVOIRS TILL 500 HL.  
 D.30 1 1/4"



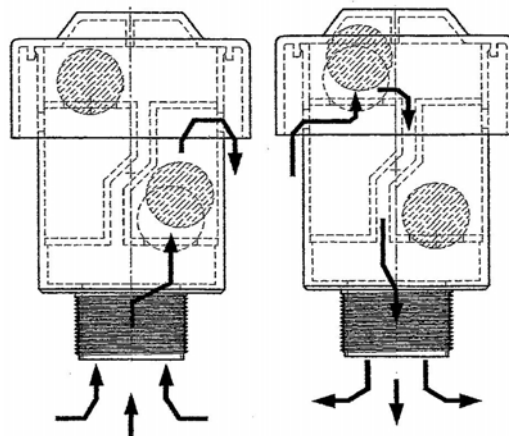
**P/V/50:** VALVOLA SFIATO PER SERBATOIO FINO A 1.000 HL DIAM. 50 RACCORDI 2"

**P/V/50:** SOUPAPE POUR CUVE JUSQU' A 1.000 HL.D.50 FILETAGE 50-60

**P/V/50:** VALVULAS PARA DEPOSITO HASTA 1.000 HL D.50 ROSCA 2"

**P/V/50:** VENT VALVE FOR RESERVOIRS TILL 1.000 HL. D50. 2"

**SCHEMA FLUSSO – SCHEMA DE PRINCIPE - ESQUEMA DE FLUJO - SCHEME OF FLOW**





**L/VSDN50** : VALVOLA SFIATO DOPPIO EFFETTO PER SERBATOIO SENSIBILITÀ 0,002 BAR IN PRESSIONE 0,005 IN VUOTO PORTATA 100.000 L/H COMPLETA DI RACCORDO DN50 DIN 11.851

**L/VSDN50** : SOUPAPE POUR CUVE DOUBLE EFFET 0,002 BAR EN PRESSION 0,005 BAR EN VIDE CAPACITE 100.000 L/H AVEC RACCORD DN 50 DIN 11.851

**L/VSDN50** : VÁLVULAS PARA DEPOSITO A DOS EFECTO SENSIBILIDAD 0,002 BAR EN PRESIÓN Y 0,005 EN VACÍO CAPACIDAD 100.000 L/H CON ROSCA DN 50 DIN 11.851

**L/VSDN50** : VENT VALVE DOUBLE EFFECT FOR RESERVOIRS SENSIBILITY 0,002 BAR IN PRESSURE 0,005 BAR IN VACUUM CAPACITY 100.000 L/H WITH CONNECTION DN 50 DIN 11.851

TINI PE-HD COLORE (bianco, vinaccia) E COPERCHI

CUVES DE CAVE PE-HD COULEUR (blanc, rouge) ET COUVERCLE

CONTENEDORES PARA BODEGA PE-HD COLOR ( blanco, rojo) Y TAPAS

CELLAR TUBS PE-HD COLOR ( white, red) AND COVER



COD	DESCRIZIONE – DESIGNATION – DESCRIPTION – ACCOUNT
S/2/0110-VIN	CAP. LT.110 - D. Cm 80 H 30 vinaccia-rouge-red
S/7/0110-N	CAP. LT.110 - D. Cm 80 H 30 bianco-blanc-white
S/2/0225-VIN	CAP. LT.225 – D. Cm 86 H 55 vinaccia-rouge-red
S/7/0225-N	CAP. LT.225 – D. Cm 86 H 55 bianco-blanc-white
S/2/0275-VIN	CAP. LT.275 – D. Cm 110 H 35 vinaccia-rouge-red
S/7/0275-N	CAP. LT.275 – D. Cm 110 H 35 bianco-blanc-white
S/2/0350-VIN	CAP. LT.350 – D. Cm 94 H 71 vinaccia-rouge-red
S/7/0350-N	CAP. LT.350 – D. Cm 94 H 71 bianco-blanc-white
S/2/0500-VIN	CAP. LT.500 – D. Cm 104,5 H 81,5 vinaccia-rouge-red
S/7/0500-N	CAP. LT.500 – D. Cm 104,5 H 81,5 bianco-blanc-white
S/2/7/0700-VIN	CAP. LT.700 - D. Cm 116 H 89,5 vinaccia-rouge-red
S/7/0700-N	CAP. LT.700 – D. Cm 116 H 89,5 bianco-blanc-white
S/2/1000-VIN	CAP. LT.1.000 – D. Cm 134 H 95 vinaccia-rouge-red
S/7/1000-N	CAP. LT.1.000 – D. Cm 134 H 95 bianco-blanc-white
S/32/500-VIN	COPERCHIO VINACCIA – RED COVER LT.500
S/32/700-VIN	COPERCHIO VINACCIA – RED COVER LT.700
S/59/500-N	COPERCHIO BIANCO – WHITE COVER LT.500
S/59/700-N	COPERCHIO BIANCO – WHITE COVER LT.700
S/7/1000-N	CAP. LT.1.000 – D. Cm 134 H 95 bianco-blanc-white

ACCESSORI PER TINI  
ACCESSOIRE POUR CUVES  
ACCESORIOS PARA  
CONTENEDORES  
OPTIONAL FOR TUBS



FILTRO SGRONDATORE  
FILTRE DECUVE  
FILTRO PARA TRASEGAR VINO  
FILTER FOR DRAWING



MANIGLIE  
POIGNE  
AGARRADERO  
HANDLE



RUBINETTI DA ¼” ¾” - 1”  
ROBINET DE ¼” ¾” - 1”  
DE ¼” ¾” - 1”  
TUBS INCH ¼” ¾” - 1”

COD	CONFEZIONI CONFECTIONN CONFECION PACKET	DESCRIZIONE DESIGNATION DESCRIPCION ACCOUNT
S/17-BIL	10	FILTRO – FILTRE – FILTRO – FILTER
S/150	10	MANIGLIA – POIGNA – AGARRADERO – HANDLE
S/20/ 1/4-BIL	10	RUBINETTO – ROBINET – GRIFO – TAP ¼”
S/20/3/4-BIL	10	RUBINETTO – ROBINET – GRIFO – TAP ¾”
S/20/1-BIL	10	RUBINETTO – ROBINET – GRIFO – TAP 1”



TAPPO IN PLASTICA NERA  
BOUCHON EN PLASTIQUE NOIRE  
TAPÓN EN PLÁSTICO NEGRO  
BLACK PLASTIC CAP

COD	DESCRIZIONE DESIGNATION DESCRIPCION ACCOUNT
B/611 D.40	DIAM 40 MACON
B/613 D50	DIAM 50 MACON
B/617 D70	DIAM 70 MACON



PISTOLA IN PLASTICA ALIMENTARE  
PISTOLET EN PLASTIQUE ALIMENTAIRE  
PISTOLA EN PLASTICO PARA LIQUIDOS ALIMENTARIO  
GUN IN PLASTICS FOR LIQUID FOODSTUFFS

COD.(11)	DESCRIZIONE - DESIGNATION - ACCOUNT
A/506540 D.19	DIAM.1" X 20
A/506540 D.25	DIAM.1" X 25



FUSTI PER ALIMENTI CON RUBINETTO  
BIDON AVEC ROBINET  
BIDON CON GRIFO  
DRUM WITH TAP

COD	CONFEZIONI CONFECTION CONFECCIÓN PACKET	CAPACITA' CAPACITE CAPACIDAD CAPACITY
S/97/005-N	4	LT.5
S/97/010-N	3	LT.10
S/97/015-N	3	LT.15
S/97/020-N	3	LT.20
S/97/025-N	3	LT.25
S/97/050-N	1	LT.50
S/97/100-N	1	LT.100



SECCHIO INDUSTRIALE GRADUATO CON BECCO, PER ALIMENTI  
SEAU TYPE INDUSTRIEL GRADUE' AVEC BEC POUR ALIMENTS  
CUBO INDUSTRIALES GRADUADO CON PICO APTO POR ALIMENTOS  
GRADUATED INDUSTRIAL BUCKET WITH LIP FOR FOOD

COD	CONFEZIONI CONFECTION CONFECCIÓN PACKET	CAPACITA' CAPACITE CAPACIDAD CAPACITY
S/65/12-N	10 BIANCO WHITE	LT.12
S/65/15-N	10 BIANCO WHITE	LT.15
S/65/18-N	10 BIANCO WHITE	LT.18
S/65/12-GRI	10 GRIGIO GREY	LT.12
S/65/15-GRI	10 GRIGIO GREY	LT.15
S/65/18-GRI	10 GRIGIO GREY	LT.18

CARAFFA GRADUATA CON BECCO (POLYTHENE ALIMENTARE)

CARAFE GRADUE' AVEC BEC (POLYTHENE ALIMENTAIRE)

GARRAFA GRADUADA CON PICO (POLYTHENE ALIMENTICIO)

GRADUATED CARAFE WITH LIP (POLYTHENE FOOD)



<b>COD.</b>	<b>CONFEZIONI DESIGNATION CONFECCION PACKET</b>	<b>CAPACITA' CAPACITE CAPACIDAD CAPACITY</b>
S/6/0500-TS	54	LT.1/2
S/6/1000-TS	36	LT.1
S/6/2000-TS	48	LT.2
S/6/3000-TS	36	LT.3
S/6/5000-TS	66	LT.5

IMBUTO CON/SENZA FILTRO  
EMBUDO CON/SIN FILTRO

ENTONNOIR AVEC/SANS FILTRE  
FUNNEL WITH/WITHOUT FILTER



<b>COD.</b>	<b>CONFEZIONI CONFECTION CONFECCION PACKET</b>	<b>DIAMETRO DIAMETRE DIAMETRO DIAMETER</b>
S/43/22-BIM	60	Cm.22
S/43/26-BIM	80	Cm.26
S/43/30-BIM	50	Cm.30
S/43/35-BIM	40	Cm.35
S/147/10-BIM		FILTRO FILTRE FILTRO FILTER D.22
S/147/12-BIM		FILTRO FILTRE FILTRO FILTER D.26-30-35

CASSA APERTA E CHIUSA PER UVA, FRUTTA SOVRAPPONIBILE E COPERCHI

CAISSE A TOUT FAIRE PLAINE ET PERCE SUPERPOSABLE EN PE HD ET COUVERCLE

CAJA APILABLE CERRADA Y AGUJEREADA PARA TODOS USOS Y TAPAS

GENERAL SERVANT CRATE, CLOSED/PIERCED SUPERIMPOSE AND COVER



<b>COD.</b>	<b>DESCRIZIONE ACCOUNT</b>
S/131/50-N	LT.50 CM 56X41X29 CHIUSA-FERME- CLOSED BIANCA WHITE
S/131/50-ARA	LT.50 CM 56X41X29 CHIUSA-FERME- CLOSED ARANCIONE ORANGE
S/131/65-N	LT.65 CM 63X44X33 CHIUSA-FERME- CLOSED BIANCA WHITE
S/131/65-ARA	LT.65 CM 63X44X33 CHIUSA-FERME- CLOSED ARANCIONE ORANGE
S/131/90-N	LT.90 CM 74X46X36 CHIUSA-FERME- CLOSED BIANCA WHITE
S/132/50-N	LT.50 CM 56X41X29 FORATA-PERCE-PIERCED BIANCA WHITE
S/132/65-N	LT.65 CM 63X44X33 FORATA-PERCE-PIERCED BIANCA WHITE
S/133/50-N	CONFEZIONI . PAKING 10 PZ COPERCHIO – COVER LT.50 BIANCO WHITE
S/133/50-ARA	CONFEZIONI . PAKING 10 PZ COPERCHIO – COVER LT.50 ARANCIONE ORANGE
S/133/65-N	CONFEZIONI . PAKING 10 PZ COPERCHIO – COVER LT.65 BIANCO WHITE
S/133/65-ARA	CONFEZIONI . PAKING 10 PZ COPERCHIO – COVER LT.65 ARANCIONE ORANGE
S/133/90-N	CONFEZIONI . PAKING 10 PZ COPERCHIO – COVER LT.90 BIANCO WHITE



IMBUTO AUTOREGOLATORE  
ENTONNOIR AUTORÉGLAGE  
EMBUDO AUTORREGULADOR  
SELF-REGULATION FUNNEL

COD	CONFEZIONI CONFECTION CONFECCION PACKET	DIAM.
F14320	15	CM.11



SCOLABOTTIGLIE  
ESCURRIDOR DE BOTELLA

ECOULEMENT PUR BOUTEILLES  
DRAINING BOTTLE

COD.	CONFEZIONI CONFECTION CONFECCION PACKET	DESCRIZIONE - DESIGNATION - DESCRIPCION - ACCOUNT
F/15181	4	FISSO - FIXE - FIJO - FIXED PZ. 45
F/15191	4	FISSO - FIXE - FIJO - FIXED PZ. 81
F/15201	4	FISSO - FIXE - FIJO - FIXED PZ. 90
F/15211	4	GIREVOLE-TOURNANT-GIRATORIO-REVOLVING PZ.45
F/15221	4	GIREVOLE-TOURNANT-GIRATORIO-REVOLVING PZ.81
F/15231	4	GIREVOLE-TOURNANT-GIRATORIO-REVOLVING PZ.90



PORTA BOTTIGLIE COLORE MARRONE-ARACIONE  
SUPPORT BOUTEILLES COULEUR MARRON ORANGE  
REPOSTERIA COLORE MARRON- ARANCIO  
BOTTLE RACK BROWN AND ORANGECOLOR

COD	CONFEZIONI - CONFECTION CONFACCION - PACKET	n° BOTTIGLIE - n° BOUTEILLES n° BOTELLAS - n° BOTTLES
S/67-BRR	10 MARRONE BROWN 61X31X14	6
S/67-ARA	10 ARANCIONE ORANGE 61X31X14	6

CESTELLO PORTABOTTIGLIE DIVERSI COLORI  
CASIER A BOUTEILLES DIFFERANT COULEUR  
REPOSTERIA DIFERENTES COLORES  
BOTTLE CRATE DIFFERENT COLOURS



COD	CONFEZIONI - CONFECTION CONFACCION - PACKET	n° BOTTIGLIE - n° BOUTEILLES n° BOTELLAS - n° BOTTLES
S/23-BRR	10 MARRONE BROWN 30X21X16	6 (1 l.)
S/23-ROM	10 ROSSO RED 30X21X16	6 (1 l.)
S/23-VET	10 VERDE GREEN 30X21X16	6 (1 l.)
S/24-BRR	10 MARRONE BROWN 30X25X16	4 (2 l.)
S/24-ROM	10 ROSSO RED 30X25X16	4 (2 l.)
S/24-VET	10 VERDE GREEN 30X25X16	4 (2 l.)

PRELEVA CAMPIONI FISSO E SMONTABILE IN 3 PEZZI.  
PRELEVE VIN FIXE ET DEMONTABLE EN 3 PIECES  
SACA MUESTRA FIJO Y DESMONTABLE EN 3 PIEZAS  
DRAW WINE FIXED AND DISMANTLED IN 3 PIECES



COD.	CONFEZIONI CONFECTION CONFECCION PACKET	DESCRIZIONE - DESIGNATION - DESCRIPCION - ACCOUNT
F/14060	25	FISSO - FIXE - FIJO - FIXED L. Cm.50
F/14070	12	SMONTABILE DEMONTABLE DESMONTABLE DISMANTLED PZ.3 L. Cm.50
F/14080	12	SMONTABILE DEMONTABLE DESMONTABLE DISMANTLED PZ.3 L. Cm.70



CESTA OVALE PER UVA E FRUTTA  
 PANIER OVALE POUR RAISIN ET FRUITS  
 MATA OVAL PARA UVA Y FRUTA  
 OVAL BASKET FOR GRAPES AND FRUITS

COD.	CONFEZIONI CONFECTION CONFECCION PACKET	CAPACITA' CAPACITE CAPACIDAD CAPACITY
S/74-ARA	5 ARANCIONE ORANGE	L.20



CESTA ROTONDA PER UVA E FRUTTA  
 PANIER RONDE POUR RAISIN ET FRUITS  
 MATA REDONDA PARA UVA Y FRUTA  
 ROUND BASKET FOR GRAPES AND FRUITS

COD.	CONFEZIONI CONFECTION CONFECCION PACKET	CAPACITA' CAPACITE CAPACIDAD CAPACITY
S/53-ARA	5 ARANCIONE ORANGE	L. 15

CONTENITORI PER UVA "BINS" PER UVA A 4 PIEDI PARETI FORATE E FONDO CHIUSO IMPILABILI CON UN MASSIMO DI 8 PZ PER COLONNA.  
 CAPACITA 460LT. DIMENSIONI 113X113X58h KG.29 COLORE GRIGIO DISPONIBILI CON PIEDI O BANDELLE PER RIBALTAMENTO

CAISSE A TOUT FAIRE « BINS » BASEMENT PLAIN ET COTES PERCE SUPERPOSABLE (MAX 8) CAPACITE 460LT.  
 DIMENSION 113X113X58h KG.29 COULEUR GRIS DISPONIBLE SUR PIED OU SUPPORT POUR DECHARGEMENT A ROTATIONS

CAJA A FONDO CERRADO "BINS" ES PINCHADO A. LOS LADOS CAJA APILABLE CON UN MAXIMO DE 8 PIECES.  
 CAPACIDAD 460LT DIMENSIONES 113X113X58h KG.29 COLOR GRIS DISPONIBLE CON 4 PIES O BIEN CON BANDELLE POR DERROCAMIENTO.

GENERAL SERVANT CRATE, "BINS" CLOSED FUND AND PIERCED WALLS SUPERIMPOSE (MAX 8)  
 CAPACITY 460 LT. DIMENSION 113X113X58h KG.29 GREY COLOR IT IS AVAILABLE WITH 4 FEET OR WITH SUPPORT FOR TURNOVER

COD.	CAPACITA DESCRIZIONE ACCOUNT
C/1096P4	BINS 460LT FONDO CHIUSO PARETI FORATE

**1096 P** forato con fondo chiuso



<b>Dimensioni esterne</b> (mm)	con piedi	1130x1130x580
	con traverse	1130x1130x600
<b>Dimensioni interne</b> (mm)		1040x1040x425
<b>Capacità</b> (litri)	460	<b>Portata unitaria</b> (Kg)** 520
<b>Peso</b> (Kg)*	4 piedi	29
	2 traverse	32
	3 traverse	-
		<b>Portata statica</b> (Kg)** 4800
		<b>Pezzi impilabili n.**</b> 8
<b>Colore standard</b>		grigio

