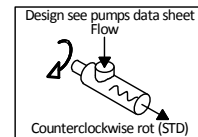
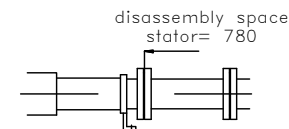
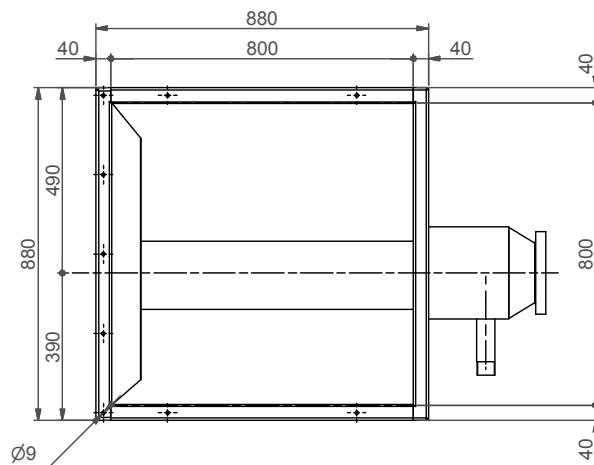
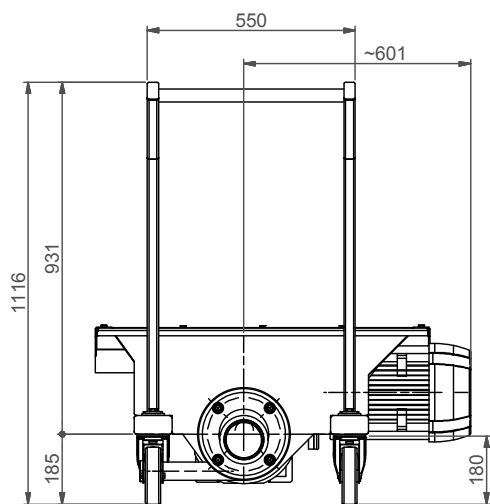
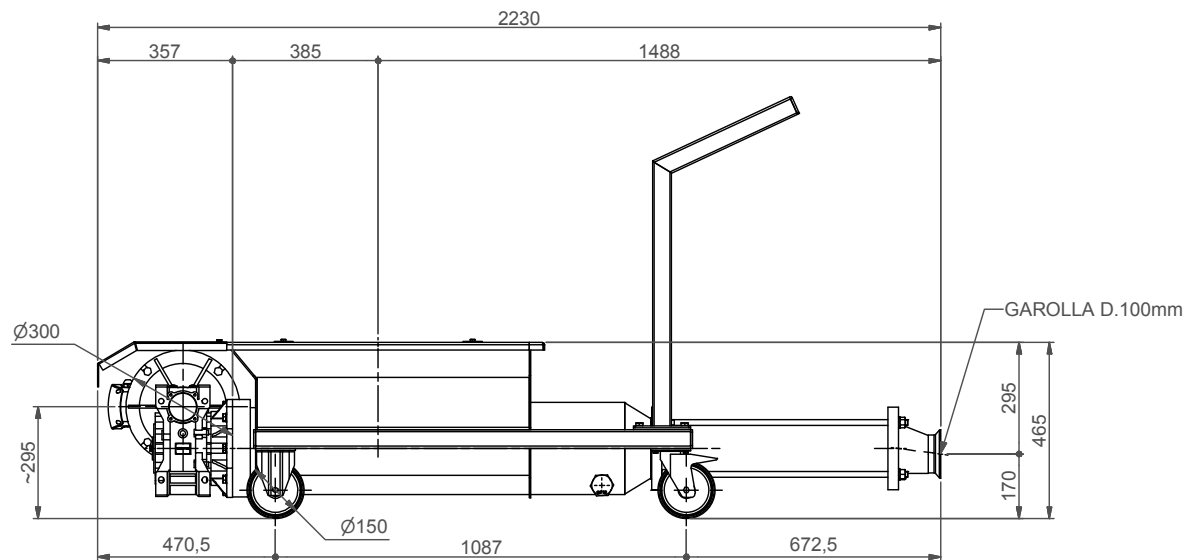


# C.W.M. S.R.L.



Replacement for:

TYPE: **CD20-1**

Denomination:

Dimensional Drawing

Replacement by:

Drawn:

Date:

Check: GM

Date: 08/01/2014

Scale: 1:20



Weight: 250 kg

Sheet 1 of 1

General Tolerances ISO 2768-v  
Geometrical tolerance and roughness ISO 1302